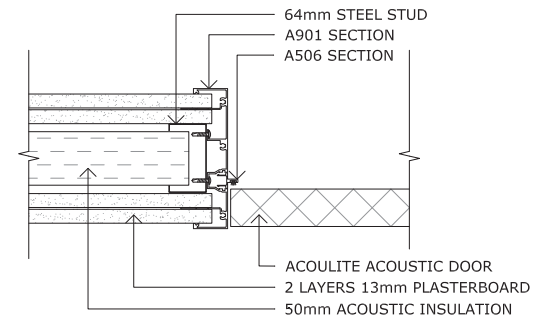
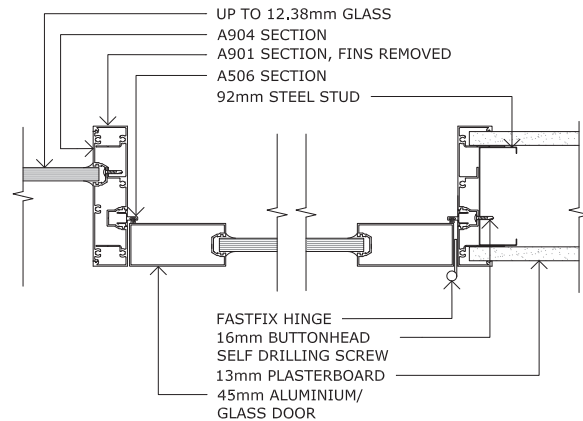


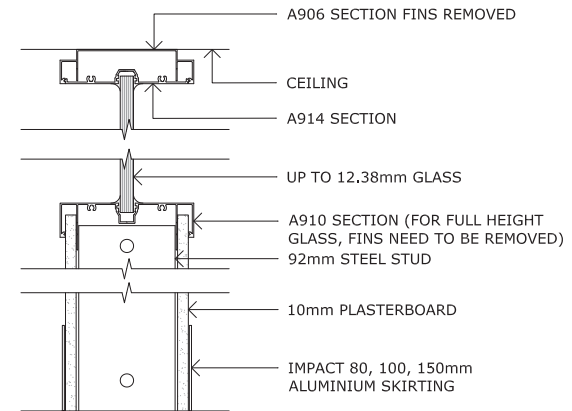
01 REDIFRAME JAMB INSTALLATION WITH ADJACENT WALL DETAIL
1:5 @ A3



02 REDIFRAME JAMB INSTALLATION SHOWING DOUBLE LAYER PLASTERBOARD TO ACHIEVE UP TO STC 52 RATING
1:5 @ A3



03 REDIFRAME JAMB INSTALLATION SHOWING GLAZING DETAIL
1:5 @ A3



04 REDIFRAME PARTITION SYSTEM ELEVATION SHOWING HALF AND FULL HEIGHT GLAZING OPTIONS
1:5 @ A3