

Suppliers of innovative building products
Quality. Efficiency. Versatility. Innovation.

A white door jamb is shown installed in a wall. The door is partially open to the right, revealing a glimpse of a brightly lit interior space with a tiled floor. The door jamb is a simple, rectangular profile. The "rediframe." logo is printed on the door panel.

rediframe.

Installation Instructions for Redi-Frame Door Jambs

5 Holland Drive
Melton Vic 3337

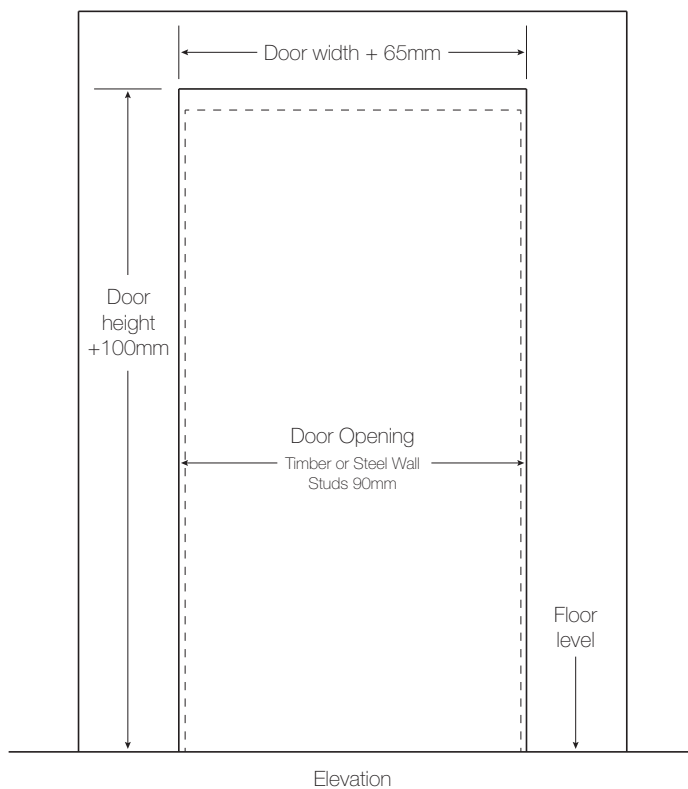
P 03 9971 2022
F 03 9746 0966
E enquire@impactsystems.net.au
W www.impactsystems.net.au

Installation Instructions

Step 1

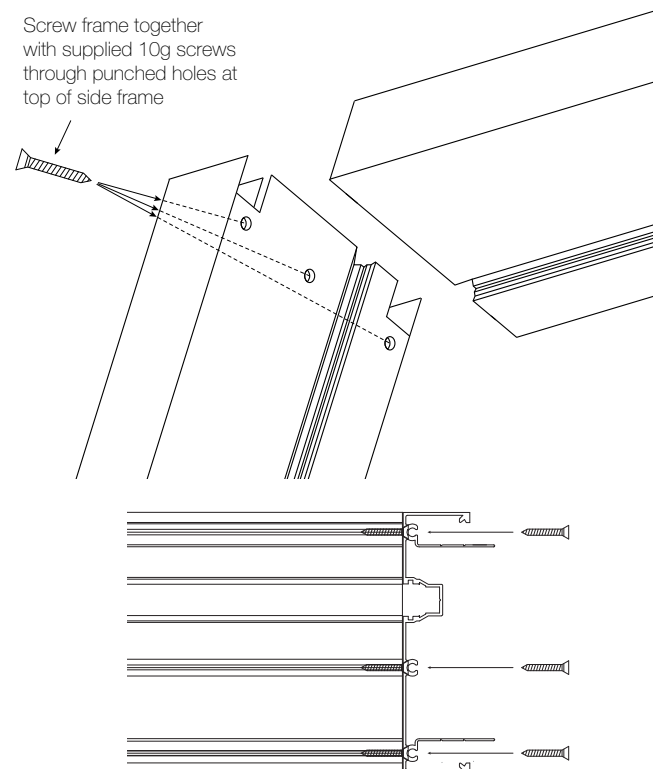
- Ensure the door opening is square and plumb and measures:

- Door Width + 65mm
- Door Height + 100mm



Step 2

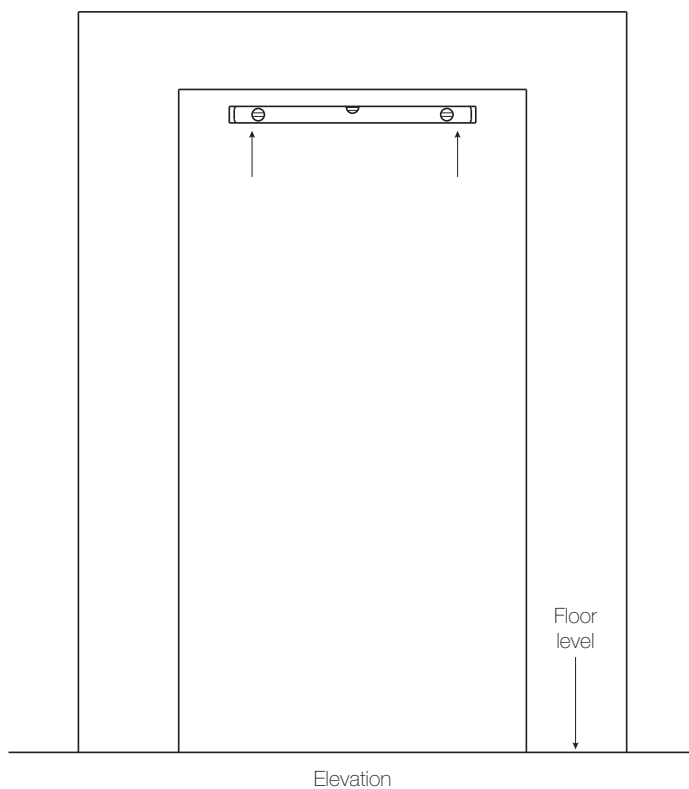
- Screw Redi-Frame together with the provided 10 gauge frame screw through holes punched into frame head screw flutes (as below).



Installation Instructions

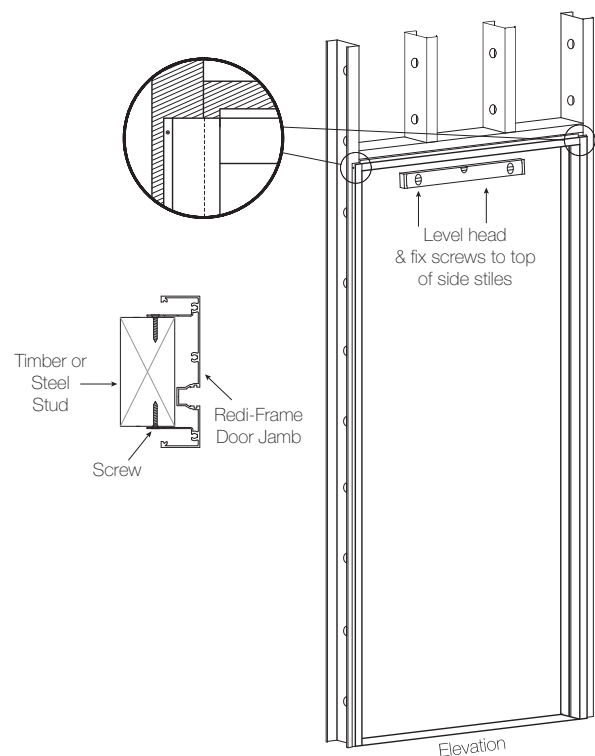
Step 3

- Using a spirit level, ensure door opening is plumb, and double check all measurements for a snug fit.



Step 4

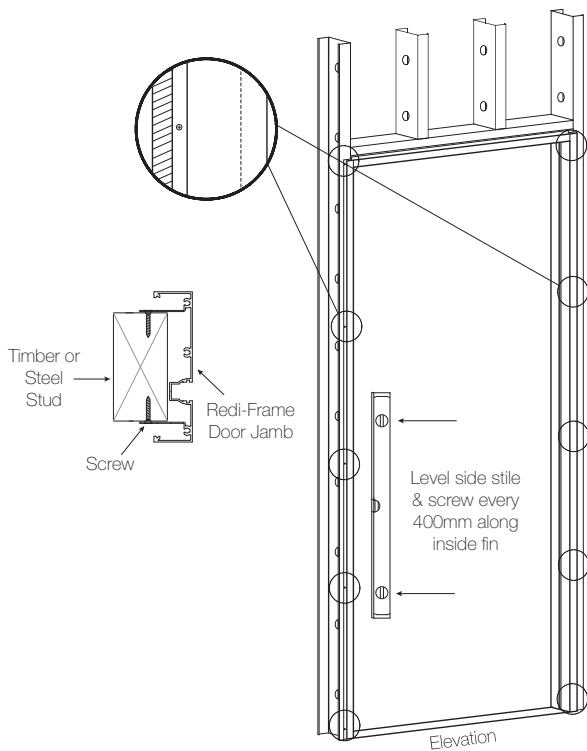
- Install Redi-Frame into door opening, and fix screws at the top of the side stiles, (as below).



Installation Instructions

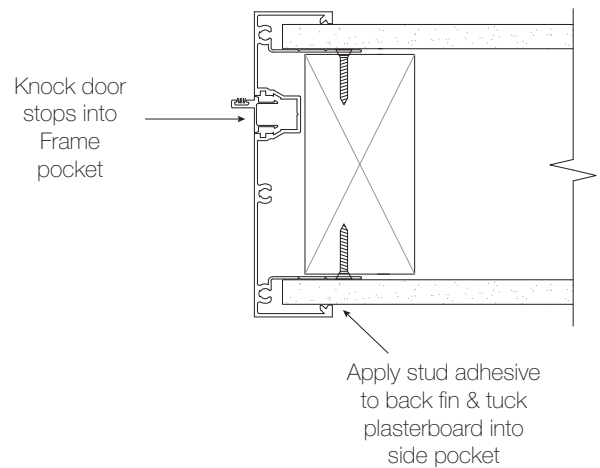
Step 5

- Check side stile levels with a spirit level, then fix screws every 400mm along inside fin, (as shown below).



Step 6

- Once Redi-Frame Door jamb is installed correctly, carefully knock door stops into the frame pockets provided, (as below).



- Hang door into frame leaving approx. 3-4mm clearance from top & hinged side using aluminium or S/S Fast Fix hinges. Surface mount the striker plate into position to align with latch tongue.