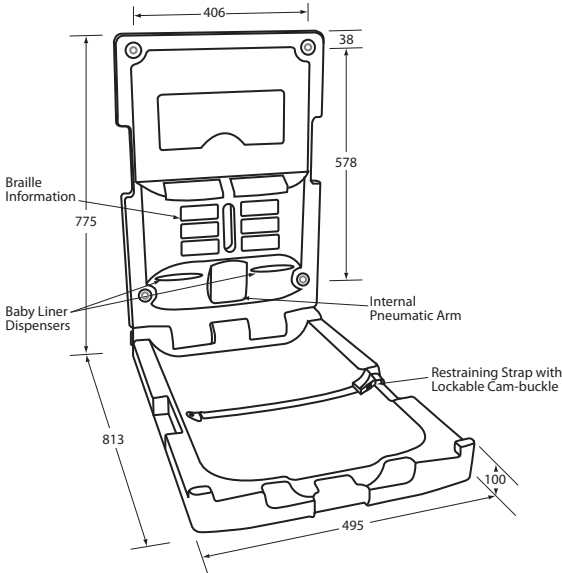




**Code ML 9100 EV**

- Material** Hi-density bacteria resistant Polyethylene body  
Stainless Steel hinge & mounting bracket
- Features** Concave change area  
Safety restraining strap fitted with lockable Cam-buckle for one handed adjustment & securing  
Dual bed liner dispensers  
Baby/shoulder bag retainers  
Pneumatic non visible Open/Close arm  
Braille information  
Suitable for up to 22.7kg use
- Overall Size**  
Open: 495mmW x 775mmH x 813mmD  
Closed: 495mmW x 813mmH x 100mmD

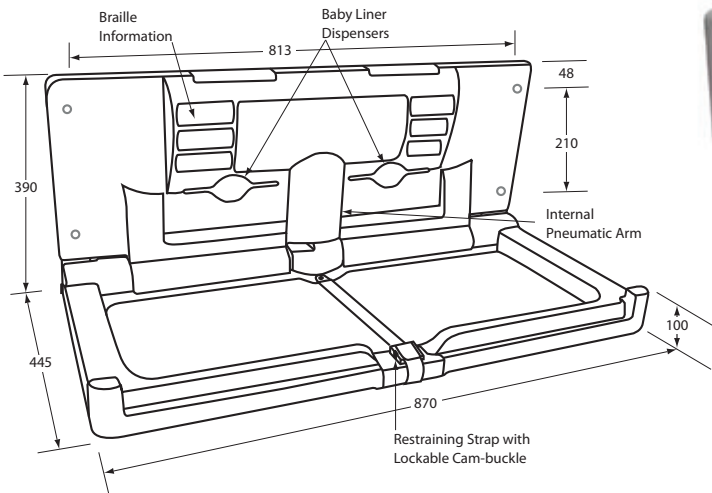


## Slimline Vertical Baby Change Station



**Code ML 9100 EH**

- Material** Hi-density bacteria resistant Polyethylene body  
Stainless Steel hinge & mounting bracket
- Features** Concave change area  
Safety restraining strap fitted with lockable Cam-buckle for one handed adjustment & securing  
Dual bed liner dispensers  
Baby/shoulder bag retainers  
Pneumatic non visible Open/Close arm  
Braille information  
Suitable for up to 22.7kg use
- Overall Size**  
Open: 870mmW x 390mmH x 445mmD  
Closed: 870mmW x 445mmH x 100mmD



## Slimline Horizontal Baby Change Station

