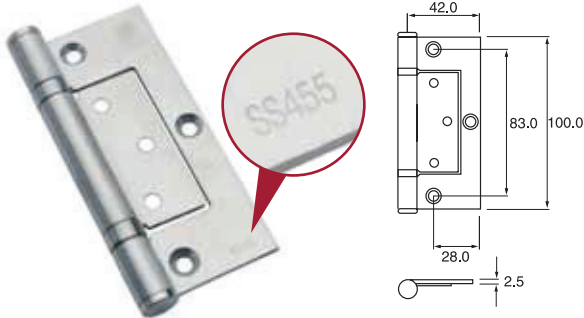




Architectural Hinges

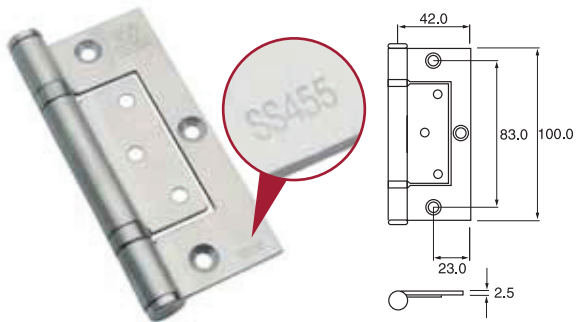


Fast Fix 2.5mm

Description Satin Stainless grade 304.
Fast fix hinge suitable for aluminium fixing.
Metric Sizes.
Standard packs of 20.
10G undercut countersunk metal thread screws.

Application **Aluminium/Metal Doors**

Product Code	Finish
107FFAF (Flat)	SSS
107FFAK (Kinked)	SSS
Size	100 X 71 X 2.5

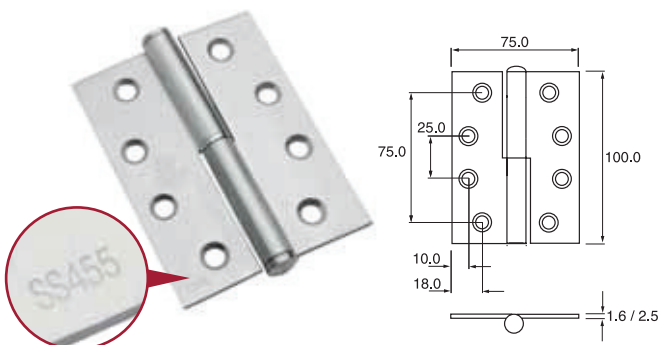


Fast Fix 2.5mm

Description Satin Stainless Steel.
Fast Fix Hinge suitable for timber fixing.
Metric Sizes.
Standard packs of 20.
10G undercut countersunk wood screws.

Application **Timber Doors**

Product Code	Finish
107FFTF (Flat)	SSS
107FFTK (Kinked)	SSS
Size	100 X 71 X 2.5



Special Applications

Lift-off Hinge	Handing	Size	Finish
107516LOL	LH	100 x 75 x 1.6mm	ZP
107516LOR	RH	100 x 75 x 1.6mm	ZP
107525LOL	LH	100 x 75 x 2.5mm	SSS
107525LOR	RH	100 x 75 x 2.5mm	SSS