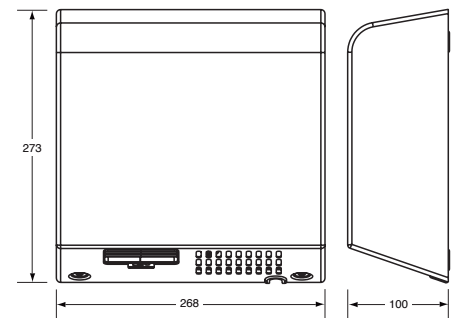




Code	HK 100 N
Material	Casing:#304 Satin Stainless Steel, 1.2mm Thickness
Motor	200W Brush Type: Dual Ball Bearings, 7500 RPM 105°C auto resetting safety overload thermostat
Power Use	240V, 50Hz, 2000W, 9.2A
Sound Level	70db (+/- 3)
Drying Time	Less then 15 seconds
Drip Proof Rating	IPX 1
Heater Element	2000W
Heater Assembly	87°C auto resetting thermostat 141°C auto resetting safety thermal cut off
Warm Air Speed	10.8m/s
Warm Air Temp	Ambient +20°C
Timing Protection	60 seconds power safety cut off - auto reset
Timing Duration	2 second delay turn off after last read
Sensor/Range	Infrared Automatic - 180mm +/-20mm preset 100 - 300mm adjustable distance
Casing Security	2 SS theft resistant hex drive screws (hex key supplied)
Net Weight	6.0kg
Dimensions	268mmW x 273mmH x 100mmD
Note	Unit can be hard wired by electrician or used with cord and plug provided Installation template & instructions included



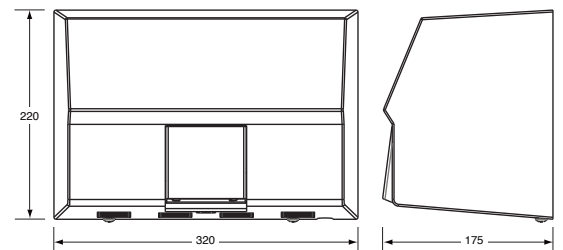
Slimline Auto Operation Hand Dryer



Code	HK 2200 SA (F)
Material	Casing:#304 Satin Stainless Steel, 1.2mm Thickness Nozzle: Diecast Zinc, Chrome Plated
Motor	100W Brushless, 2850 RPM 105°C auto resetting safety overload thermostat
Power Use	240V, 50Hz, 2200W, 9.17A
Sound Level	64db (+/- 3)
Drying Time	25-30 seconds
Drip Proof Rating	IPX 1
Heater Assembly	87°C auto resetting thermostat 142°C auto resetting safety thermal cut off
Warm Air Speed	14.5m/s
Warm Air Temp	Ambient +30°C
Timing Protection	60 seconds power safety cut off - auto reset
Sensor/Range	Infrared Automatic - 180mm +/-20mm preset 100 - 300mm adjustable distance
Casing Security	2 SS theft resistant hex drive screws (hex key supplied)
Net Weight	6.1kg
Dimensions	320mmW x 220mmH x 175mmD
Note	Unit can be hard wired by electrician or used with cord and plug provided Installation template & instructions included



Auto Operation Hand Dryer



Specify **HK 2200 SS (F) - Push Button Operation**
Same as above except Push Button Operation

