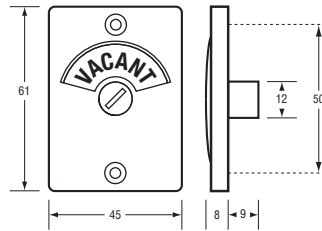




Code **100 Series**

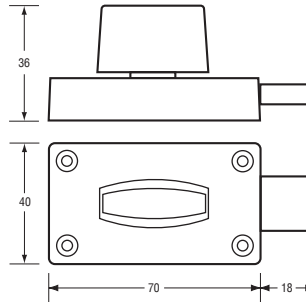
Material Diecast Zinc
Finish/Specify **100 SCP:** Satin Chrome (Shown)
 100 BCP: Bright Chrome
Mounting Screw Fix



Indicator



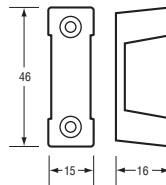
Material Diecast Zinc
Finish/Specify **100 SCP:** Satin Chrome
Mounting Screw Fix



Turnbolt



Material Diecast Zinc
Finish/Specify **100 SCP:** Satin Chrome (Shown)
 100 BCP: Bright Chrome
Mounting Options Screw Fix
 Alternative Staples for Lift Off systems
 see 117 & 117C below

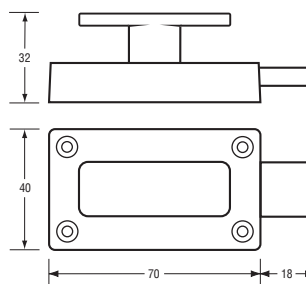


Staple



Code **100 A Series**

Material Diecast Zinc
Finish/Specify **100 A SCP:** Satin Chrome (Shown)
 100 A BCP: Bright Chrome
Mounting Note Screw Fix
 Supplied with above Indicator and Staple

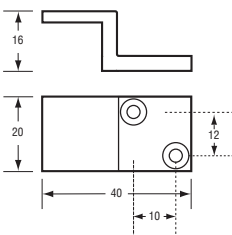


T Handle Turnbolt



Code **117 - Z Lift Off Staple**

Note Refer Section 4 - 13 for specifications



Code **117 C - Concealed Fix Lift Off Staple**

Note Refer Section 4 - 13 for specifications

