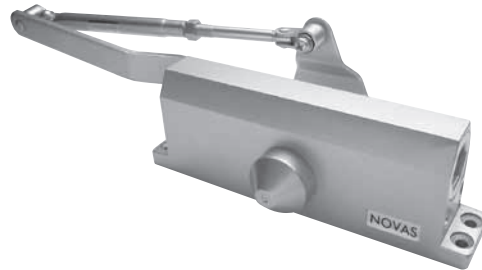




# 3000 Series Door Closers

## 3000 Series Door Closers

The Novas 3000 series door closers have been designed for usage where economy and ease of installation are the absolute requirements. The closers are smaller in size and have efficient mechanisms giving a powerful performance.



## Door Closer Selection Chart

Cat. No.	Regular Arm		Parallel Arm		Door Weight Kg.
	Interior Door	Exterior Door	Interior Door	Exterior Door	
3003	1050	900	900	800	40-65

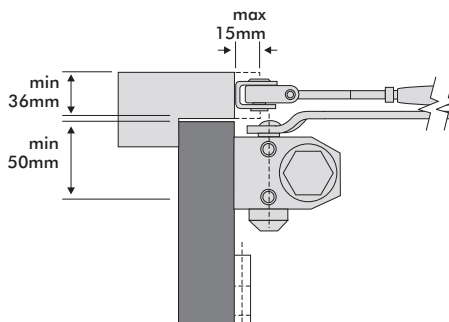
Maximum door width dimension in mm

## Door Closer Applications

### Mounting Details – 3000 Series

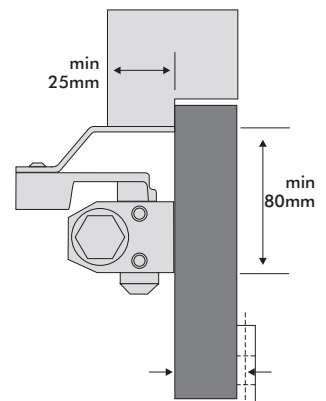
#### Regular Arm Installation

Closer is fixed to the pull (hinge) side of the door.



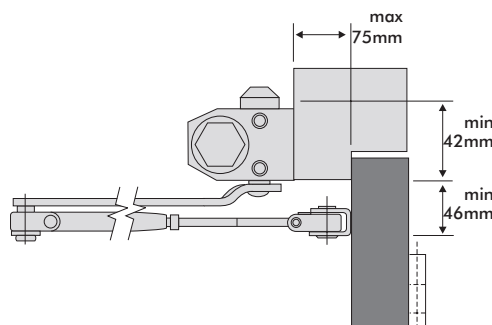
#### Parallel Arm Installation

Closer is fixed to the push (opposite to hinge) side of the door. Parallel arm application, using a cranked arm assembly overcomes the requirement for a drop plate in most cases. (refer above dimensions)



#### Top Jamb Installation

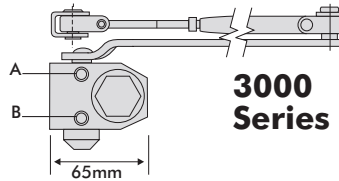
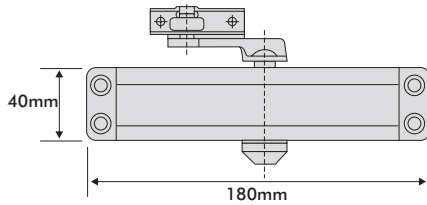
Closer is fixed to the Top Jamb on pull (hinge) side of the door.





# 3000 Series Door Closers

## Technical Data – Limiting Dimensions



Legend	
<b>A</b>	Closing Speed
<b>B</b>	Latching Speed

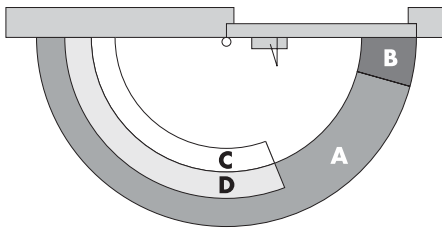
### A Closing Speed

Captive valve is conveniently located on the end of the door closer to control the closing speed.

### B Latching Speed

A separate adjustment valve to accelerate or decelerate the door to ensure positive latching.

## Adjustment Details



<b>A</b>	Closing Range	15° - 180°
<b>B</b>	Latching Range	0° - 15°
<b>C</b>	Backcheck Range	70° - 180°
<b>D</b>	Hold Open Range	70° - 180°

## Ordering Procedure

Cat. No.	Description Fixed Strength	Finish
3003BC	Size 3 door closer with backcheck	SIL

## Accessories to suit 3000 Series Closer

3000 - 10	Hold Open Arm	SIL
3000 - 30	Parallel Arm Bracket	SIL

## Finish

SIL	Silver
-----	--------

## Mechanism & Case

High Pressure diecast aluminium body, rack and pinion hydraulic controlled piston door closer. Reversible for left-hand and right-hand doors.

## Fire Rating - 3003BC only



**Fire Rated**

### FIRE DOORS

Approved on fire door assemblies up to 2 hours in accordance with Australian Standard AS 1905 - Part 1 - Fire resistant door sets.