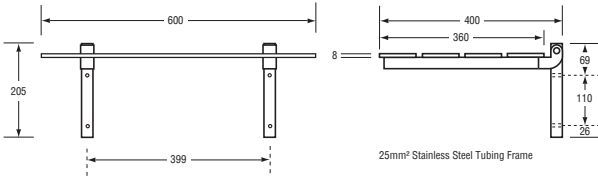




**Code** ML 993 CL & ML 993 AS

**Material Specify** #304 Satin Stainless Steel Frame - 25mm<sup>2</sup> Tube  
**ML 993 CL:** 13mmT White Compact Laminate Single Piece Seat with Black Edging & Drainage Slots  
**ML 993 AS:** White Powder Coat 8mmT Solid Aluminium Slats

**Mounting Features** Surface Mount Visible Fix  
 Low profile upright storage position



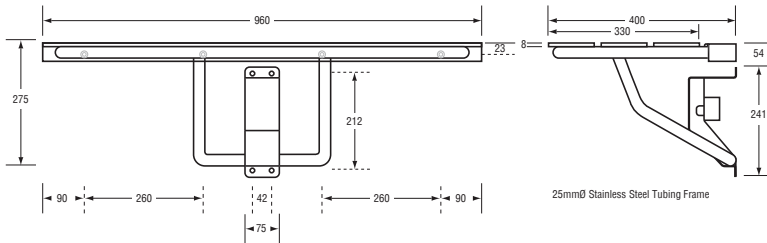
Compact Laminate Sample

## Folding Shower Seat

**Code** ML 994 CL & ML 994 AS

**Material Specify** #304 Satin Stainless Steel Frame - 25mmØ Tube  
**ML 994 CL:** 13mmT White Compact Laminate Single Piece Seat with Black Edging & Drainage Slots  
**ML 994 AS:** White Powder Coat 8mmT Solid Aluminium Slats & #304 Satin Stainless Steel Rear Mounting/Hinge Bracket - 60mmD

**Mounting Features** Surface Mount Visible Fix  
 Fold away lockable support leg  
 Low profile upright storage position



Lock-In Mounting Bracket



Compact Laminate Sample

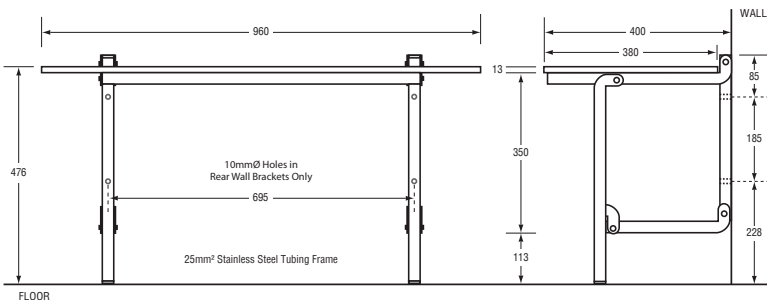
Fully Compliant with AS1428.1

## Folding Shower Seat

**Code** ML 995

**Material** #304 Satin Stainless Steel Frame - 25mm<sup>2</sup> Tube  
 13mmT White Compact Laminate Single Piece Seat with Black Edging & Drainage Slots

**Mounting Features** Surface Mount Visible Fix  
 Fold away support legs  
 Low profile upright storage position



Easily folds away for space saving storage

Fully Compliant with AS1428.1